

Woodworking Machines

Woodworking Machines - Push Sticks

On this page

[When should you use push sticks?](#)

[What are some features of a push block?](#)

When should you use push sticks?

Push sticks or push blocks should be used when operating standard woodworking machinery, including table saws, band saws, radial arm saws, jointer/planers and shapers. These sticks protect the hand while allowing good hand control of the stock as it is pushed through the cutting head or blade. Push blocks for jointer/planers should be constructed for two-handed positioning.

To keep your hands away from the blade:

- Always use a push stick for pieces less than 30 cm (1 ft) in length, or for the last 30 cm of a longer cut.
- Use a push stick of appropriate length to ensure your hand is away from the blade. For example, if you need to cut wood within 30 cm of the blade, use a push stick that is at least 45 cm long.
- Use the push stick to remove the cut piece from between the fence and the blade.

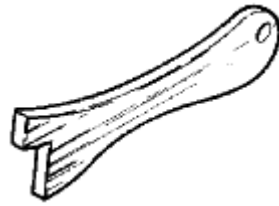
What are some features of a push block?

Hold-down push blocks should:

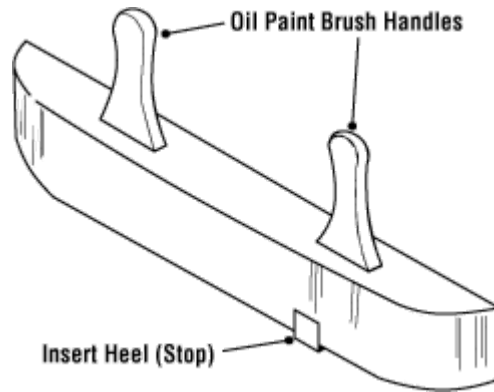
- be rigid
- enable the operator to protect both hands
- allow the operator to exert a firm and steady pressure on the work piece.

The following are samples of push blocks.

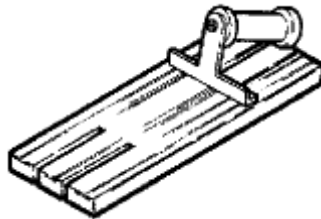
- Simple push sticks are useful on a table saw when distance between the blade and fence is narrow.



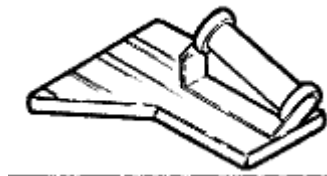
Simple push stick useful on table saw when distance between the blade and fence is narrow.



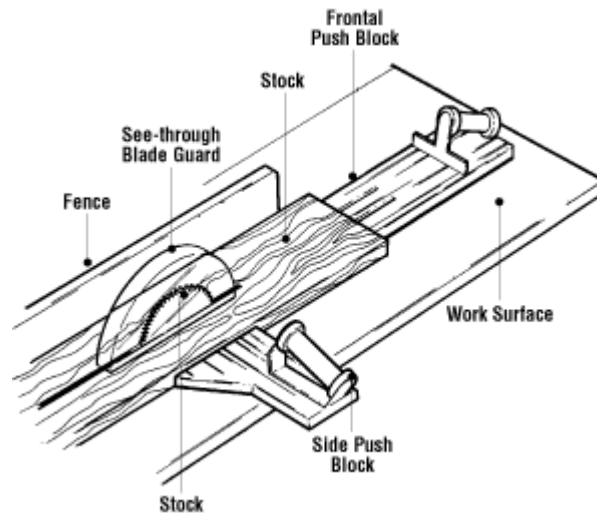
Double-handled hold-down push block



Frontal Push Block



Side Push Block



Use of two push blocks on single application

Fact sheet last revised: 2018-04-04

Disclaimer

Although every effort is made to ensure the accuracy, currency and completeness of the information, CCOHS does not guarantee, warrant, represent or undertake that the information provided is correct, accurate or current. CCOHS is not liable for any loss, claim, or demand arising directly or indirectly from any use or reliance upon the information.